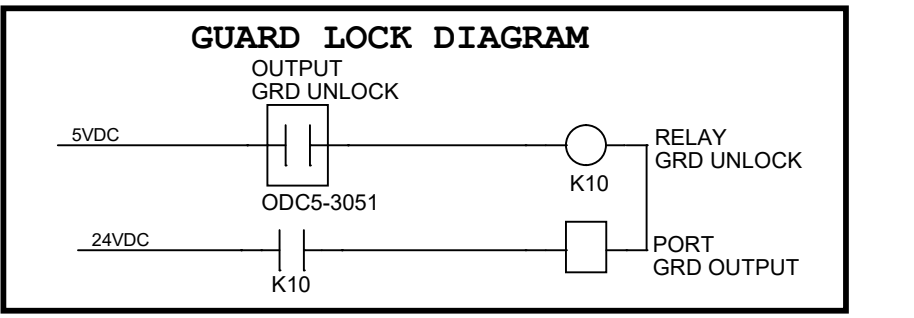
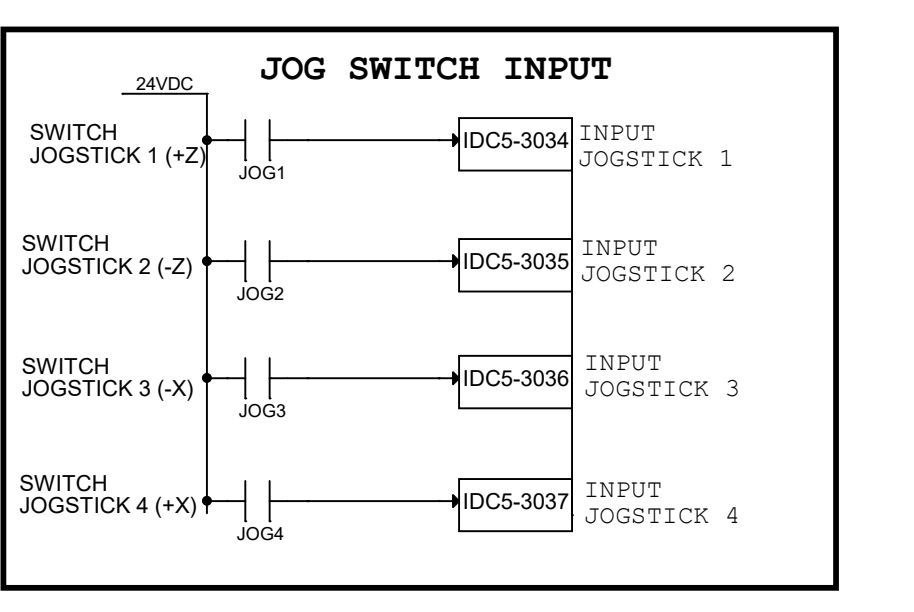
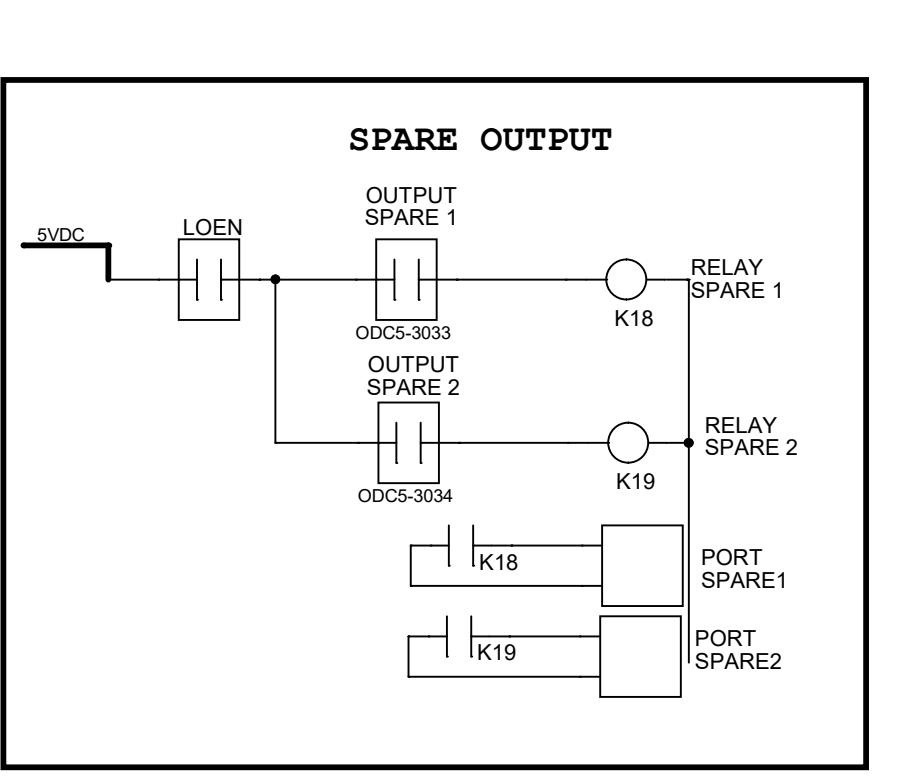
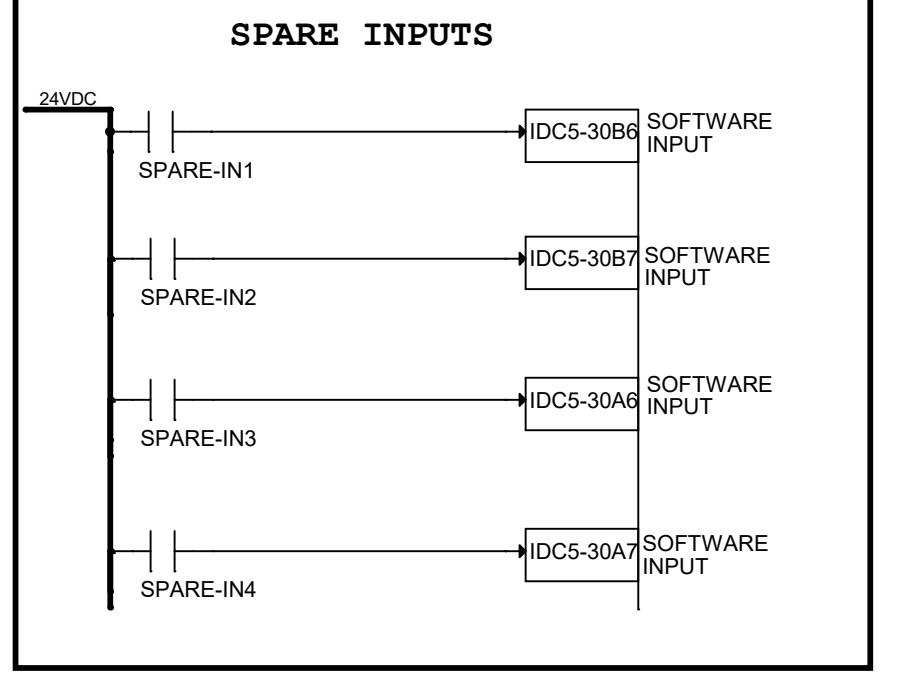
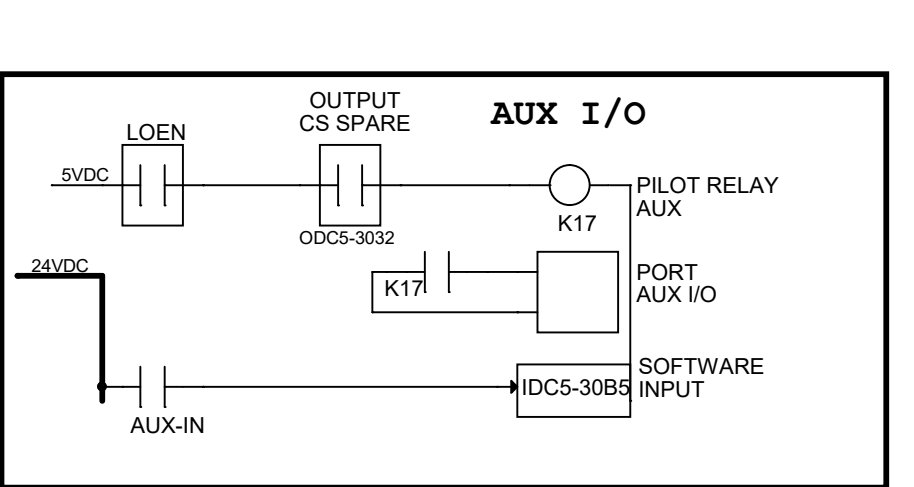
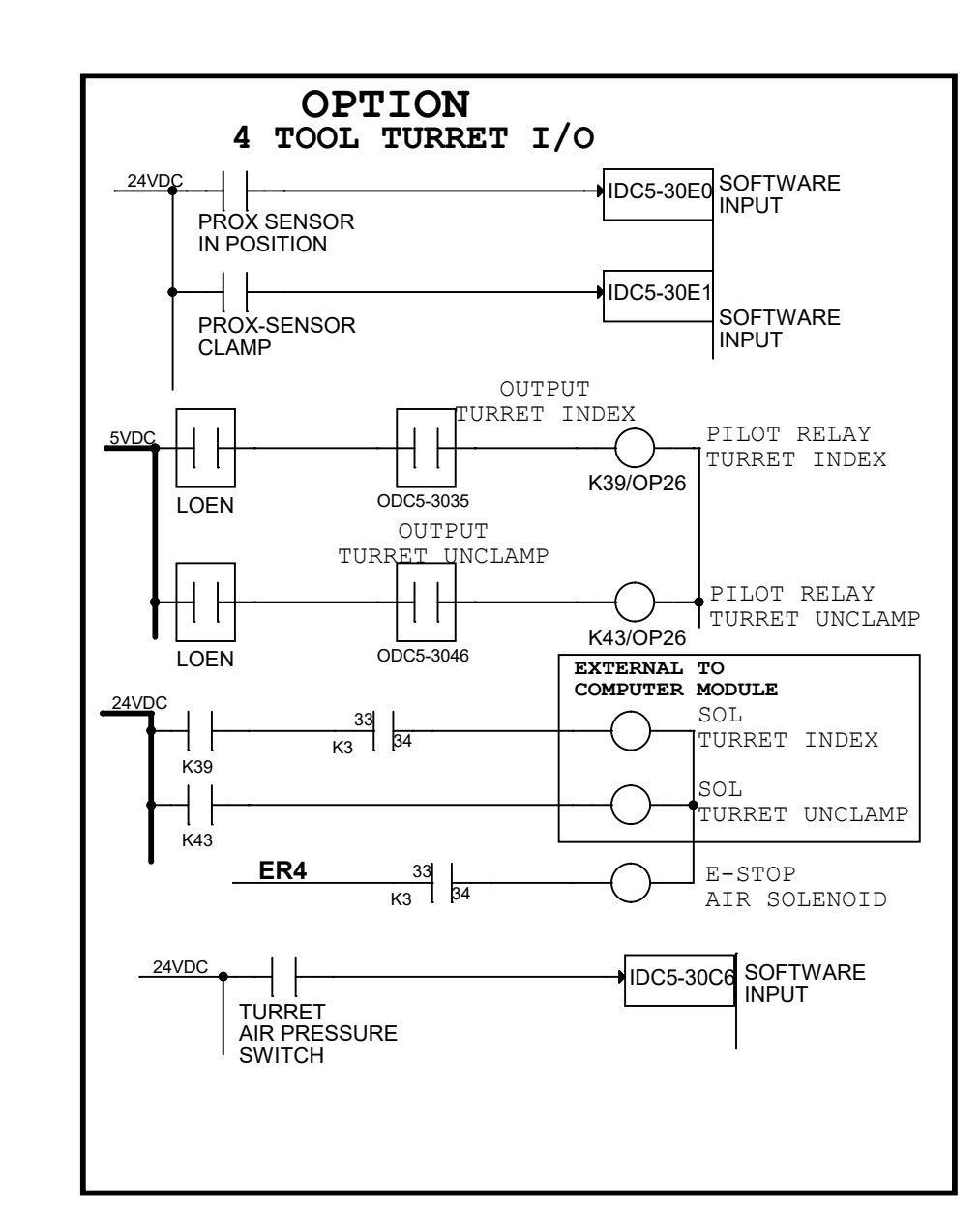
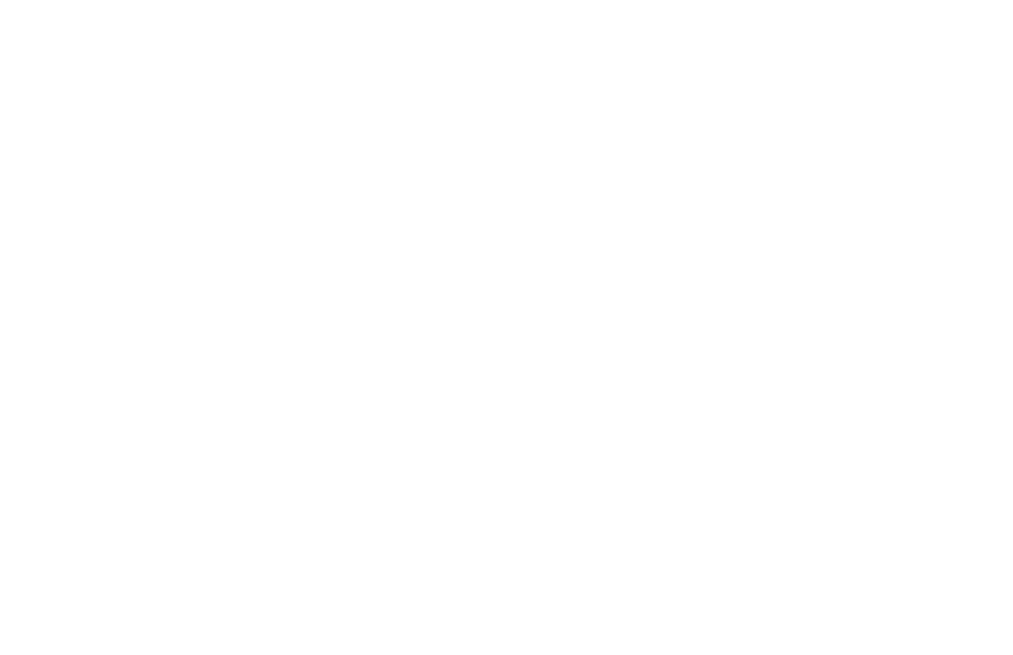
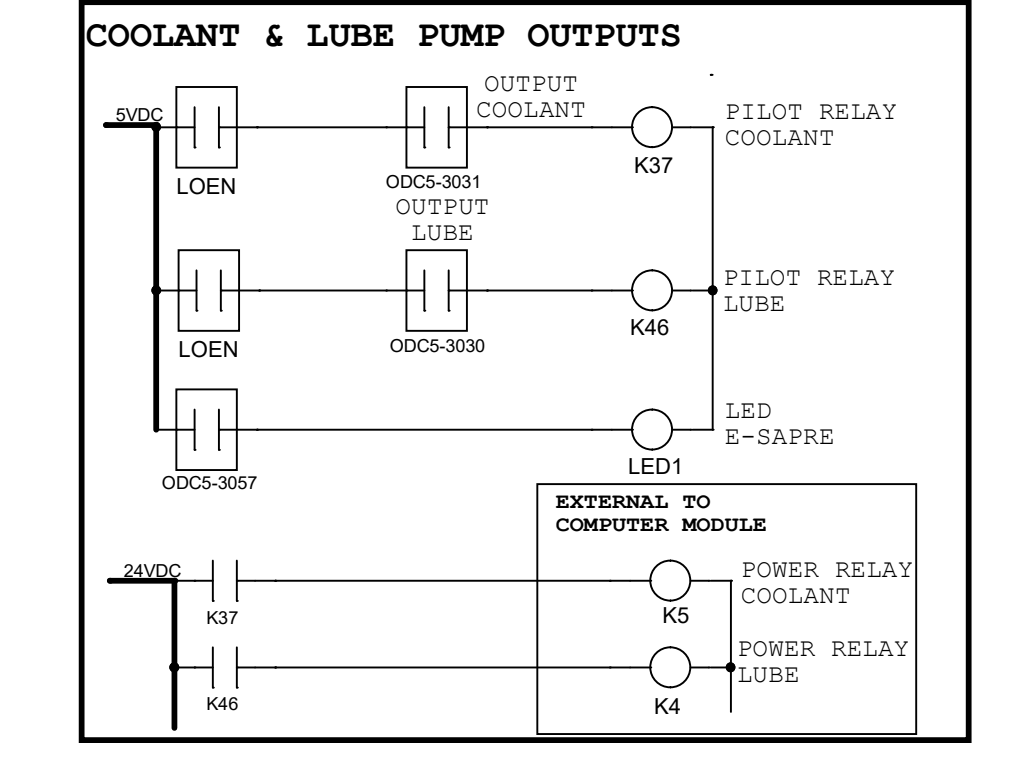
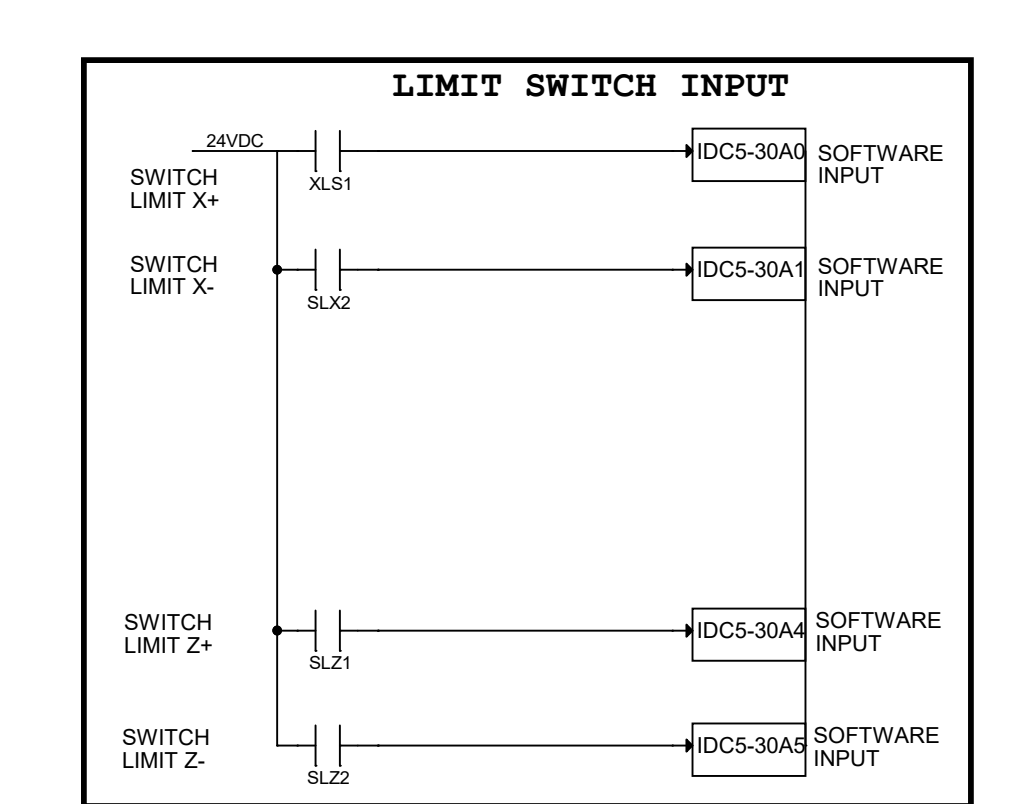
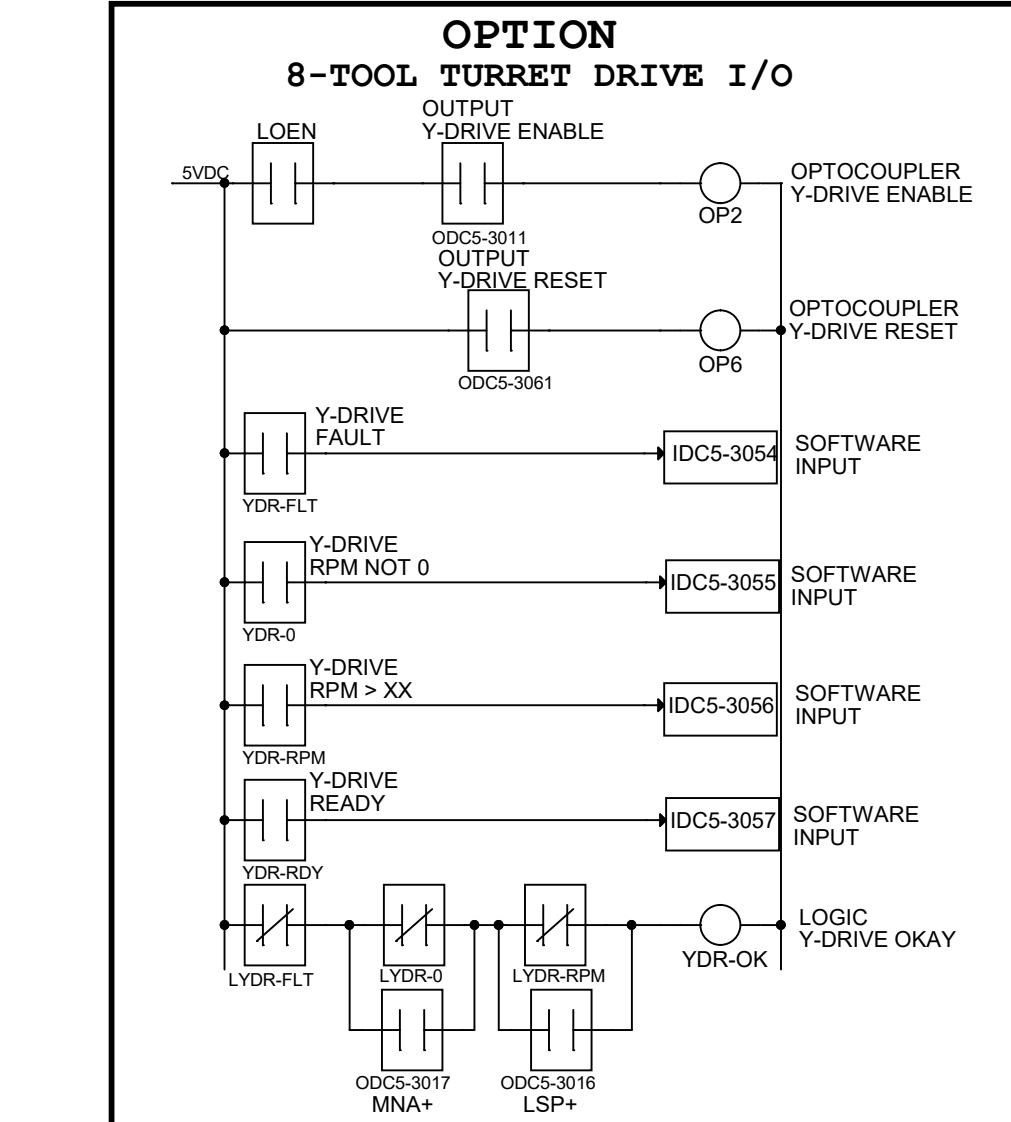
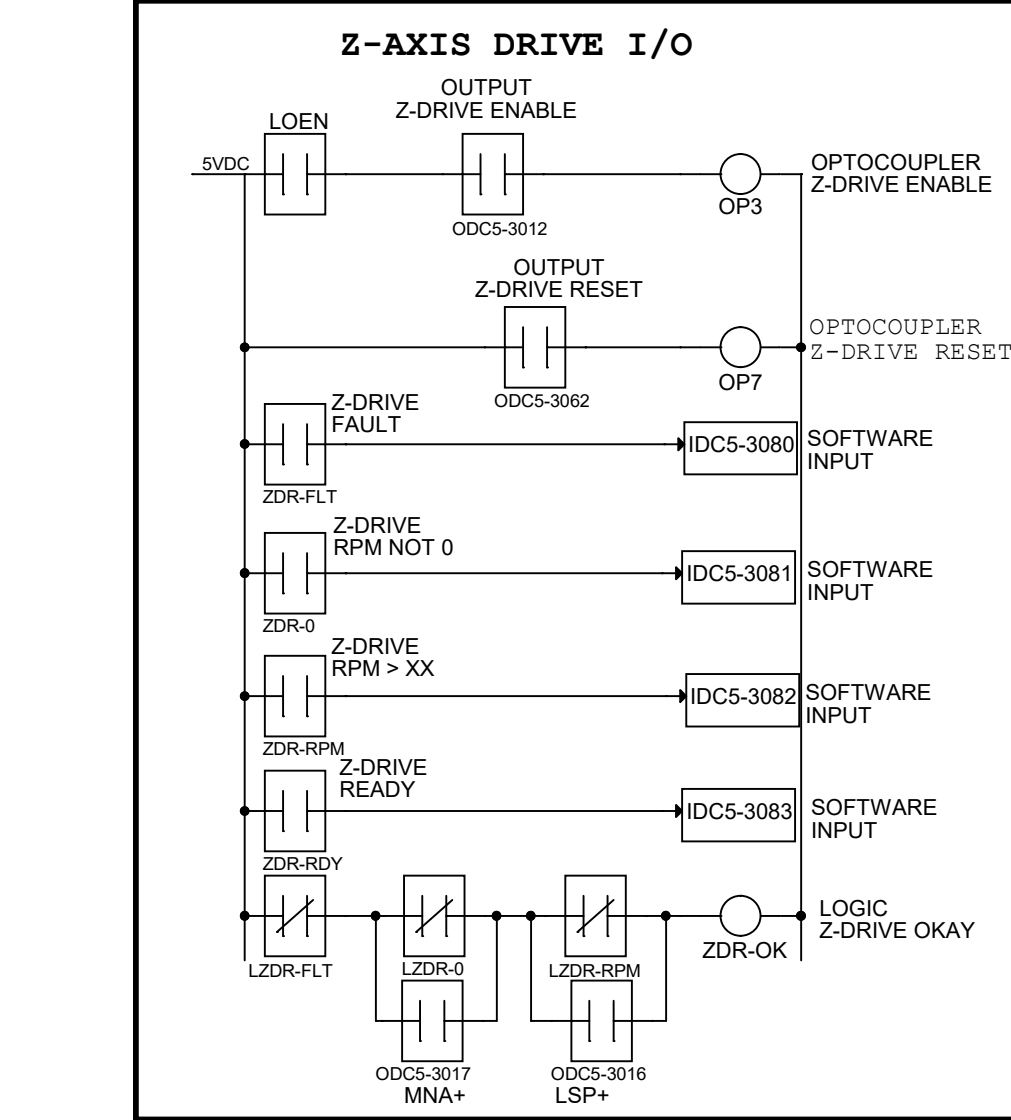
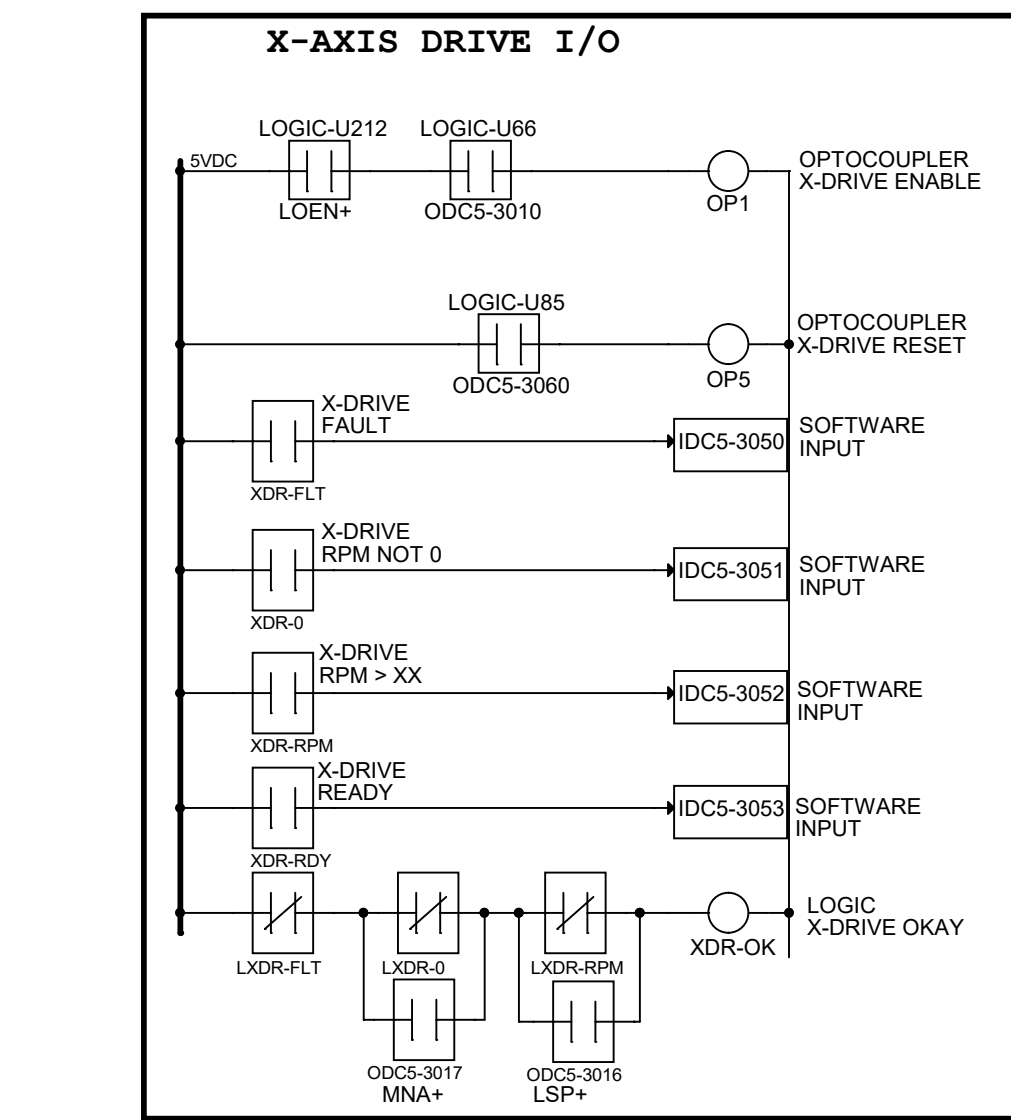
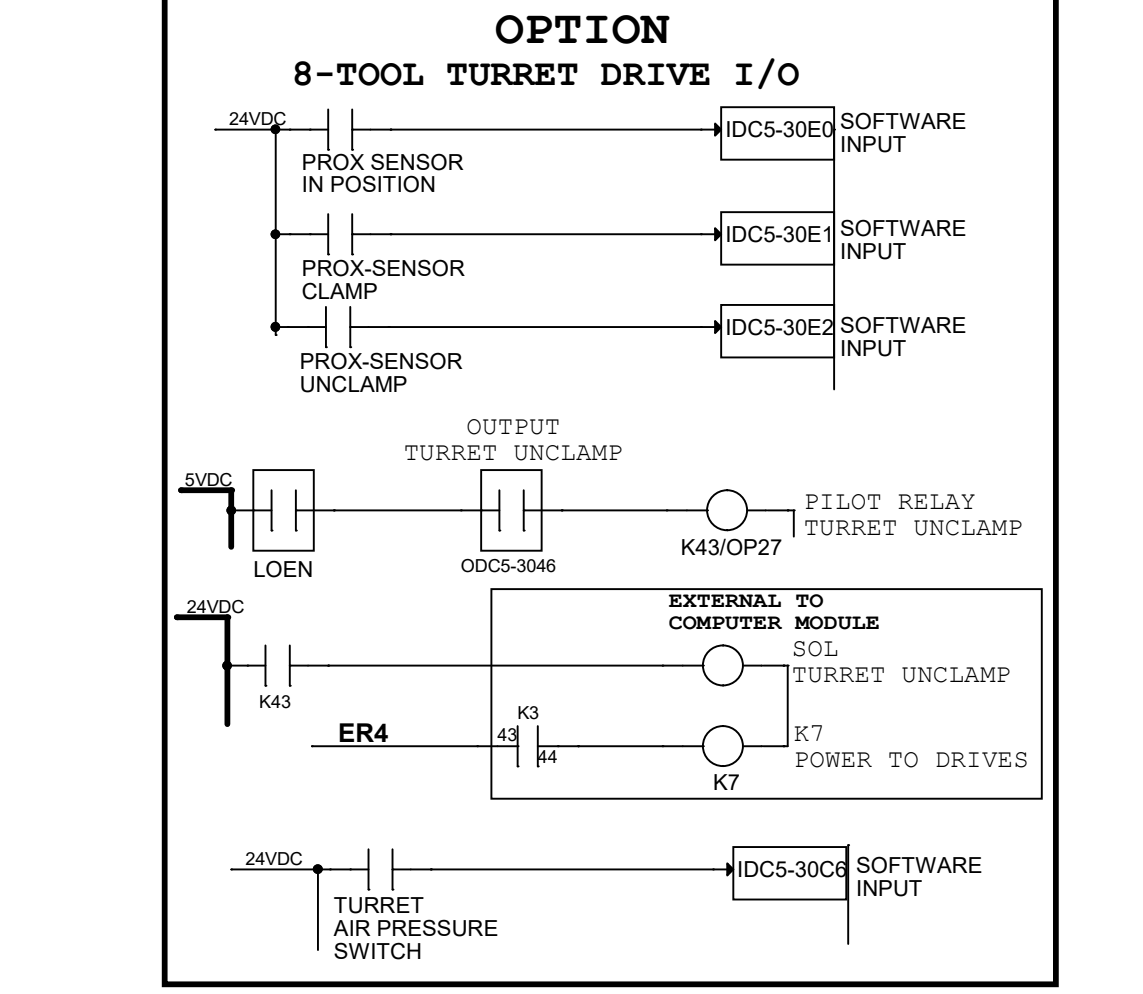
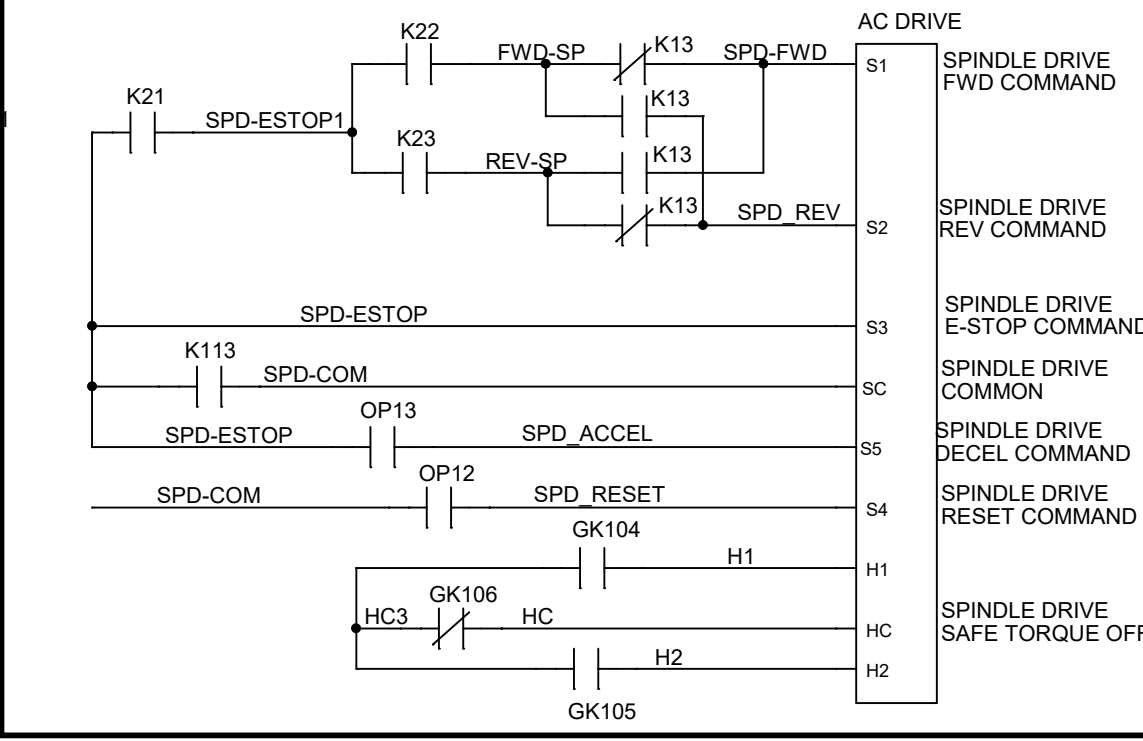
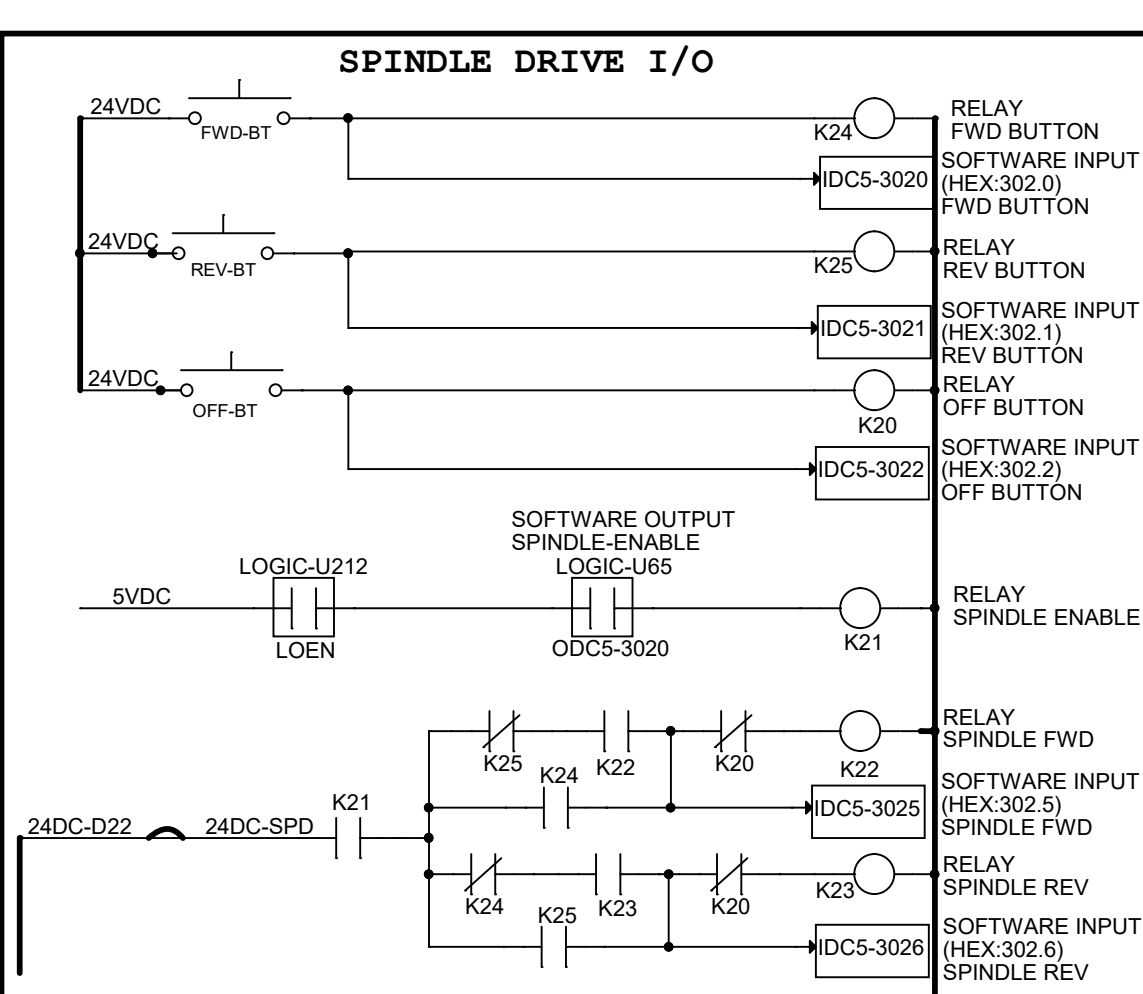
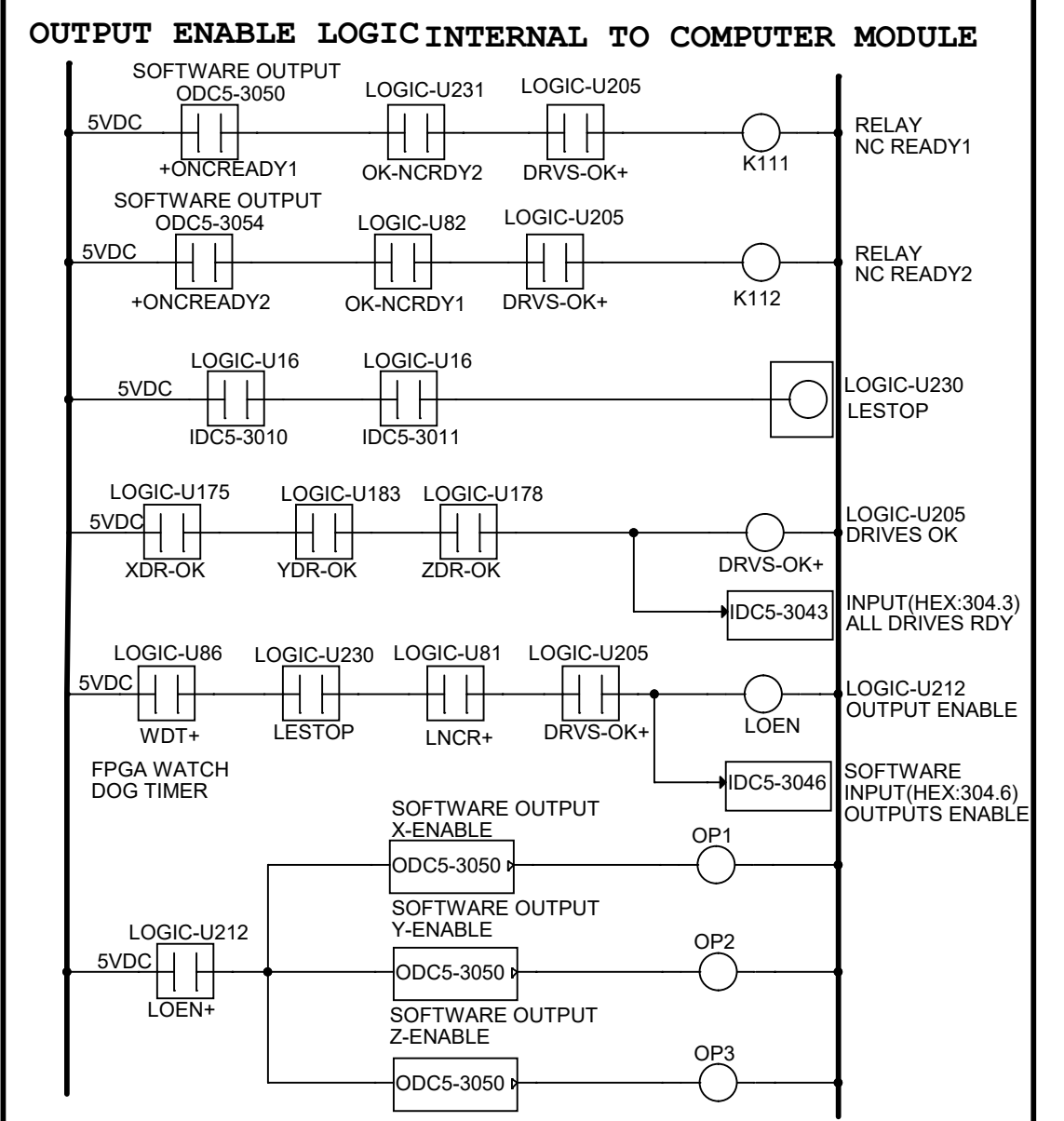
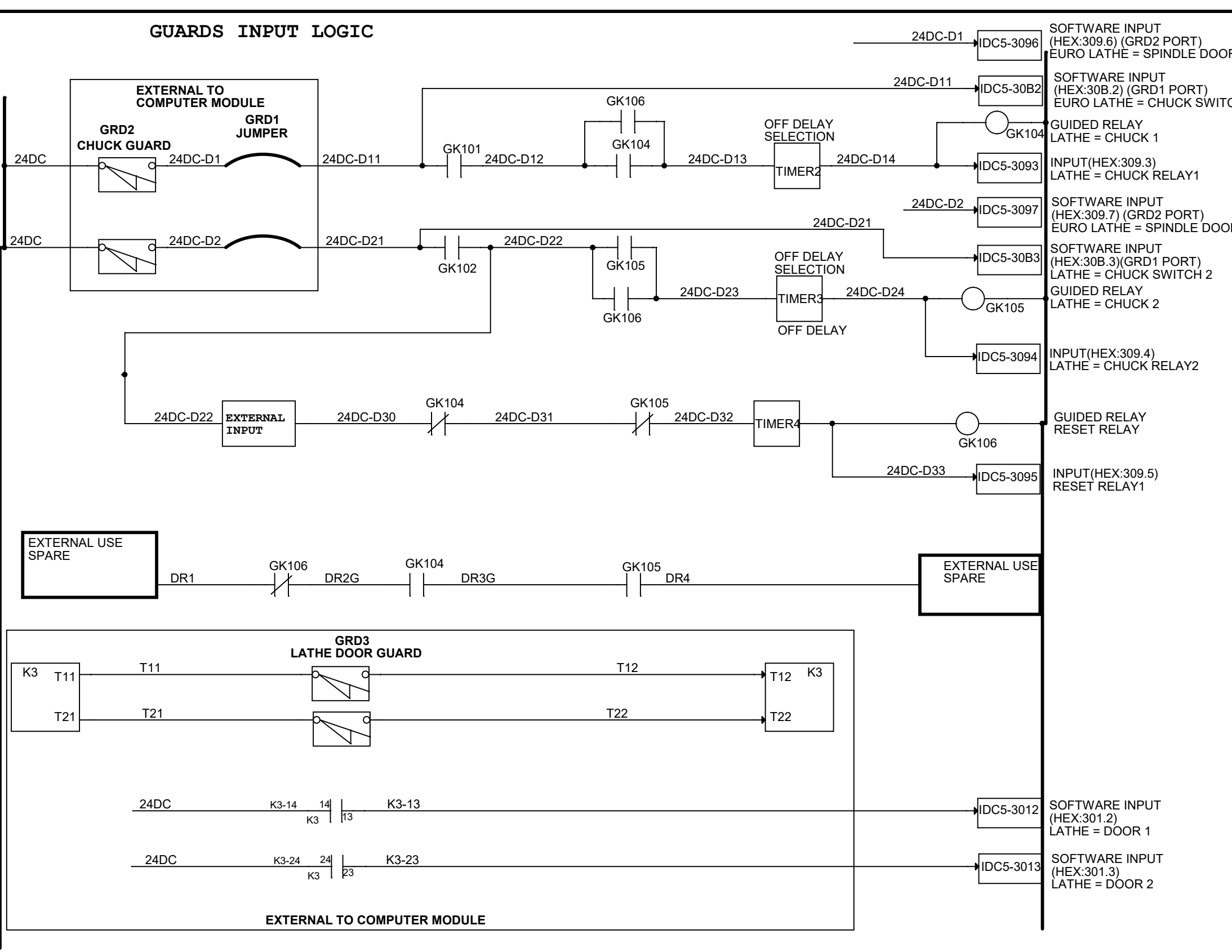
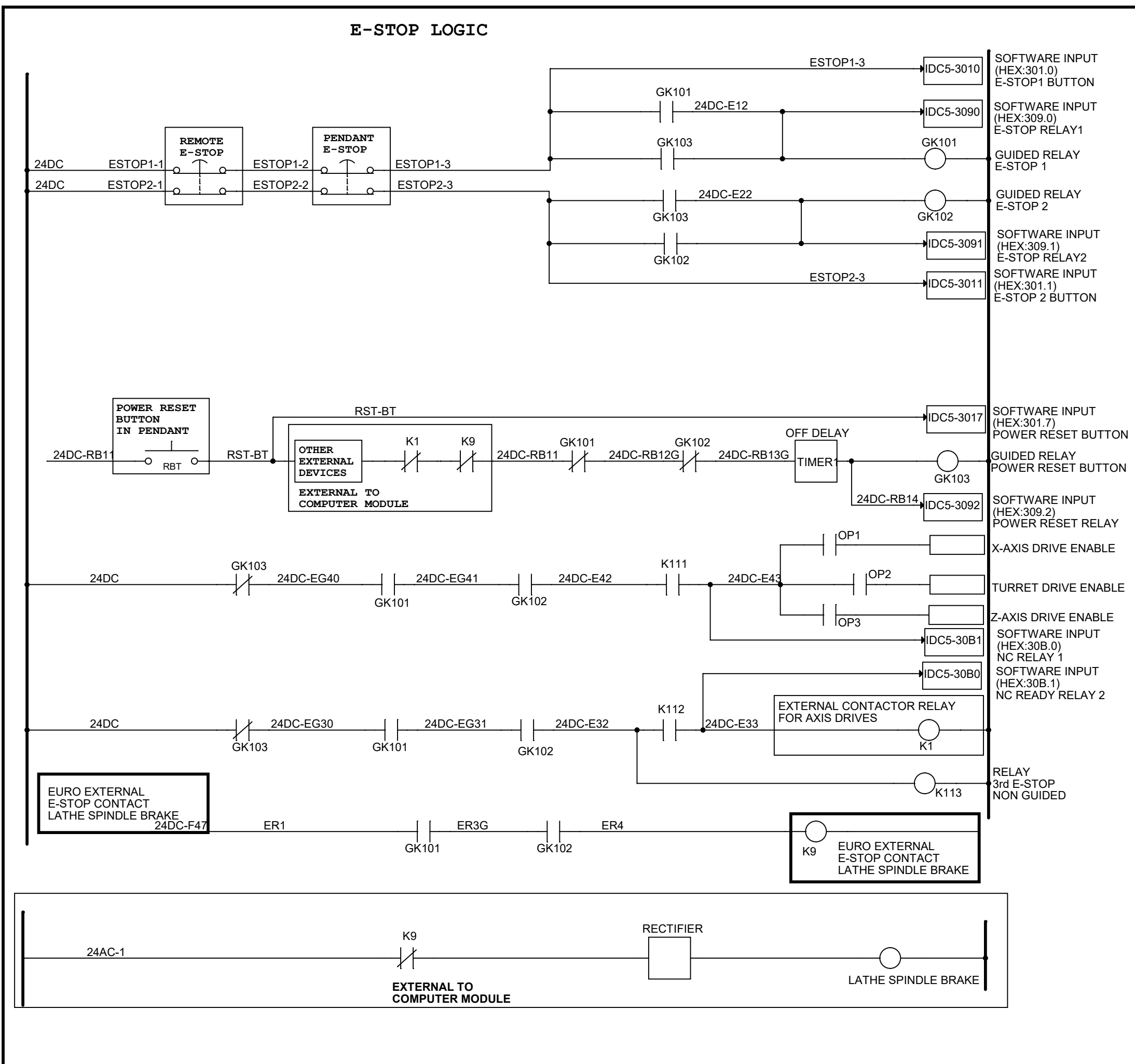


NOTES:  
1.

APPROVALS		DATE	Southwestern Industries, Inc. 2615 Homestead Place. Rancho Dominguez, CA 90220	
DRAWN BY	R.O	5/13/2014	TITLE	<b>SCHEMATIC-ELECTRICAL RLX-EURO-555-1M&amp;1.75M</b>
ENGINEER	R.O.	5/13/2014	Size	
CHECKER			D	
			CAGE Code	DWG NO
			Scale	29106-13-SCH
			Sheet	28



1. THIS LADDER DIAGRAM REFLECTS THE EURO MILL COMPUTER MODULE 29100-5 INSTALLED IN THE 29103-13 ELECTRICAL CABINET  
 2. THIS LADDER DIAGRAM APPLIES TO COMPUTER MODULES WITH REV-E APPS BOARD AND HIGHER